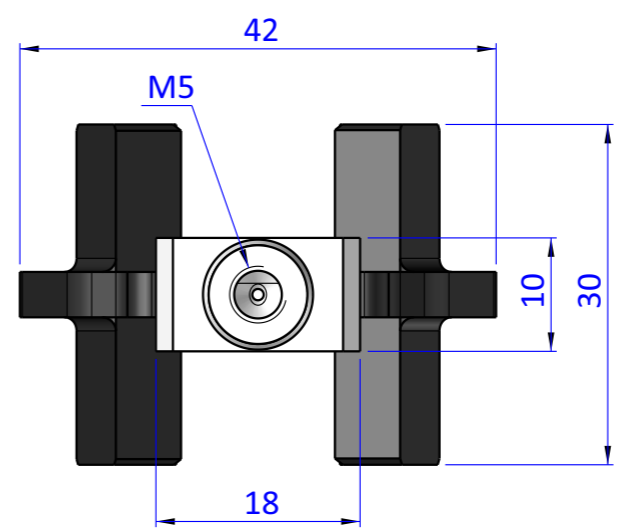
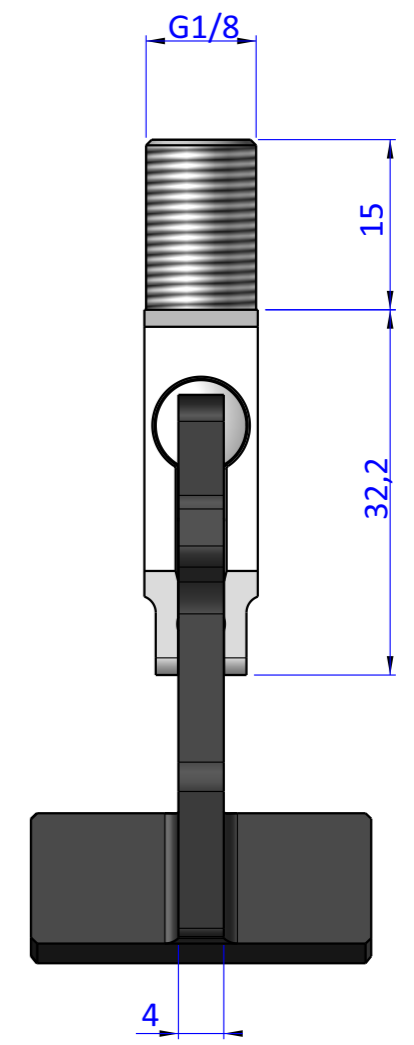
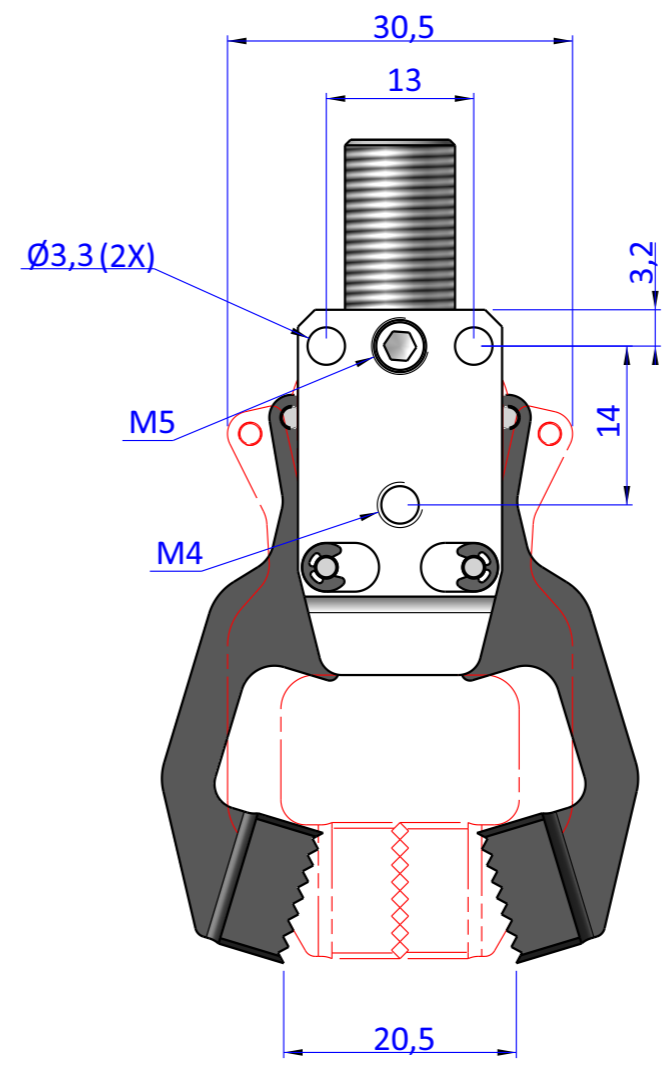
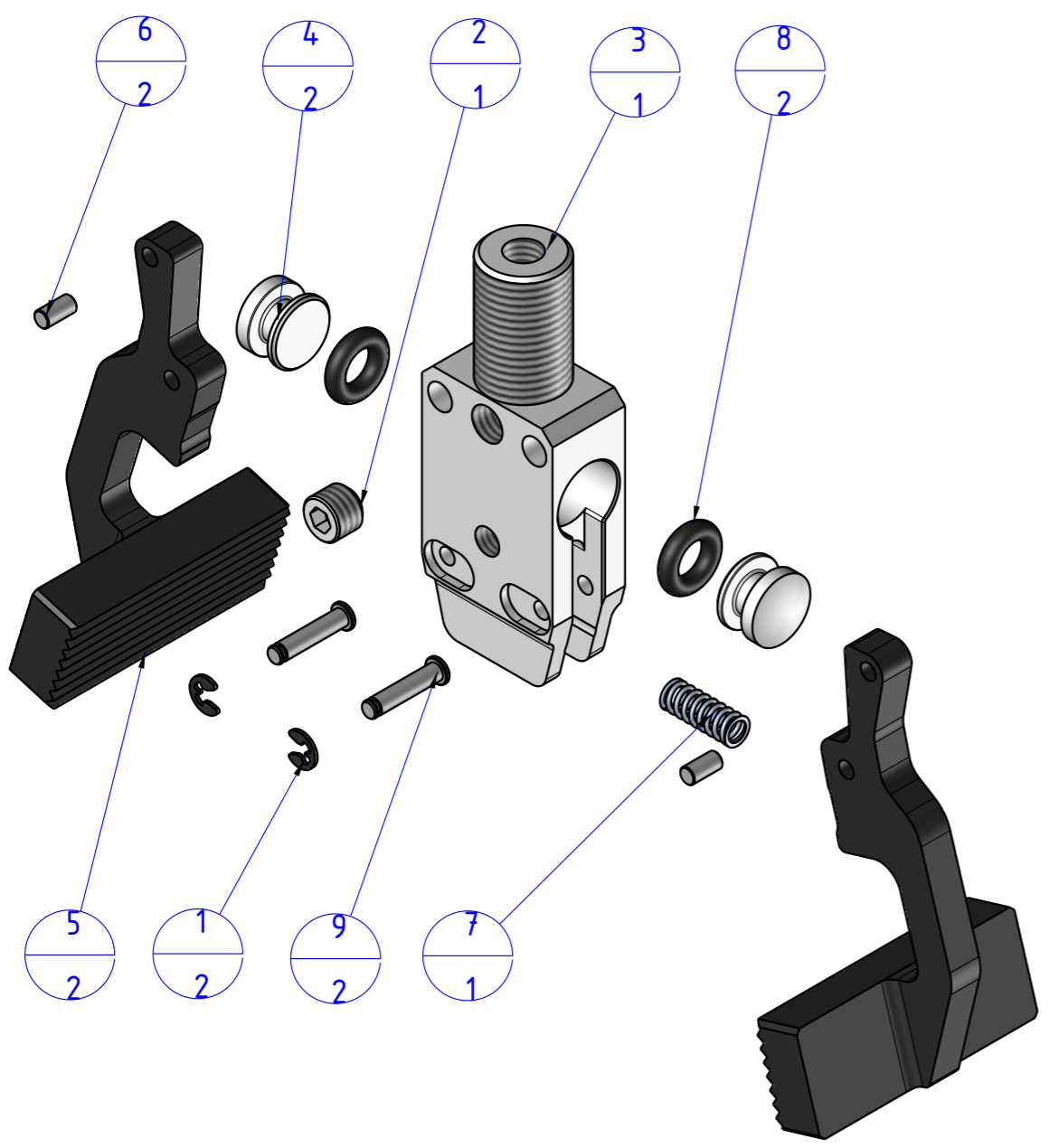

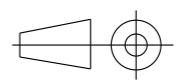


THE PROPERTY OF THE DRAWING IS ESTABLISHED BY LAW. IT IS FORBIDDEN TO PRODUCE OR SHOW IT TO THIRD PART. WITHOUT A WRITTEN AGREEMENT.

Item	Name	Q.ty
1	A.ELA.RA1.5	2
2	GR.5X4	1
3	GZA.10.08.1.18	1
4	GZA.10.08.2	2
5	GZA.10.08.3.AHT	2
6	GZA.10.08.9	2
7	M.MP13X3.5D.5	1
8	ORM.4x2	2
9	SP.2x10SS	2



Format A3
UNI 936-76

 FPS FPSERVICES AUTOMATION			DESIGNED FROM FPS Automation	REVIEW A
GENERAL TOLERANCE UNI - ISO 2768 CLASSE f		DESCRIPTION CA.GZA.10.08.FHT		DATE 05/11/2020
		WEIGHT 0,029kg		CODE CA.GZA.10.08.FHT